

W22IK3S-SPA369-P1

21.5" IP69K Stainless P Series Panel PC



KEY FEATURES

- 21.5" 1920 x 1080 Resolution with P-Cap Multi-Touch
- Intel® Core™ i5-7200U, 2.50 GHz
- Fanless cooling system
- SUS 316 / AISI 316 stainless steel for food and chemical industries
- Full IP69K waterproof enclosure, good corrosion resistance
- A true flat, easy-to-clean front surface with edge-to-edge design
- Waterproof sealed conduit pipe for cable protection
- Supports VESA mount, and optional Yoke mount stand



SPECIFICATIONS

Display	
Resolution	1920x1080
Contrast Ratio	3000:1
View Angles	89,89,89,89
Size	21.5 inches
Panel Brightness	250 nits
Touch / Glass	Projected Capacitive Multi Touch Screen
System Specification	
Processor	Intel® Core™ i5-7200U (3M Cache, up to 3.10 GHz) Intel® Core™ i5-7300U (3M Cache, up to 3.50 GHz)
Memory	1 x SO-DIMM, DDR4 2133 MHz, 4GB 8GB (Optional) 16GB (Optional)
Storage	1 x M.2 2242 SSD 64GB M.2 2242 SSD up to 512GB (Optional)
Ethernet controller	Intel® Ethernet Controller I211-AT + Intel® Ethernet Connection I219-LM
Security	TPM 2.0
Operating System	Windows 10 IoT Enterprise (Optional) Linux Ubuntu 18.04 (Optional)
WLAN	802.11 a/b/g/n/ac (Optional)
BT	BT Support (Optional)
Mechanical	
Dimension	541 x 337 x 56.2 mm
Mounting	VESA Mount Yoke Mount
Enclosure	Stainless Housing
Cooling System	Fanless design
Environment	
Operating Humidity	10% to 90% (non-condensing)
Operating Temperature	0~45°C
Storage Temperature	-20~60°C
IP rating	IP69K
Certification	
Certification	CE, FCC
IO Ports	
USB Port	2 x USB3.0 (Type-A)
Serial Port	1 x RS232/422/485 (Default RS232)
Video	1 x HDMI 1.4 (Optional)
Expansion Port	2 x M.2 slot(1 for WiFi, 1 for SSD)
LAN	2 x Giga LAN RJ45 Connector
Indicator	1 x LED Indicator on power button
Control	
Button	1 x Power Button
Accessory	

Accessory

1 x Waterproof Conduit 1.5m
1 x Waterproof Conduit 0.3m
2 x Elbow for connect the conduit
1 x AC to DC power adapter with power cord
1 x D-sub9(male) to RJ45 adapter
1 x D-sub9(female) to RJ45 adapter
1 x External RJ45 male to male cable
Driver CD & Manual
VESAs screws

Optional Accessory

1 x Open wire cable for phoenix connector
Yoke mount stand kit (It'll charge you for NRE cost)

Power

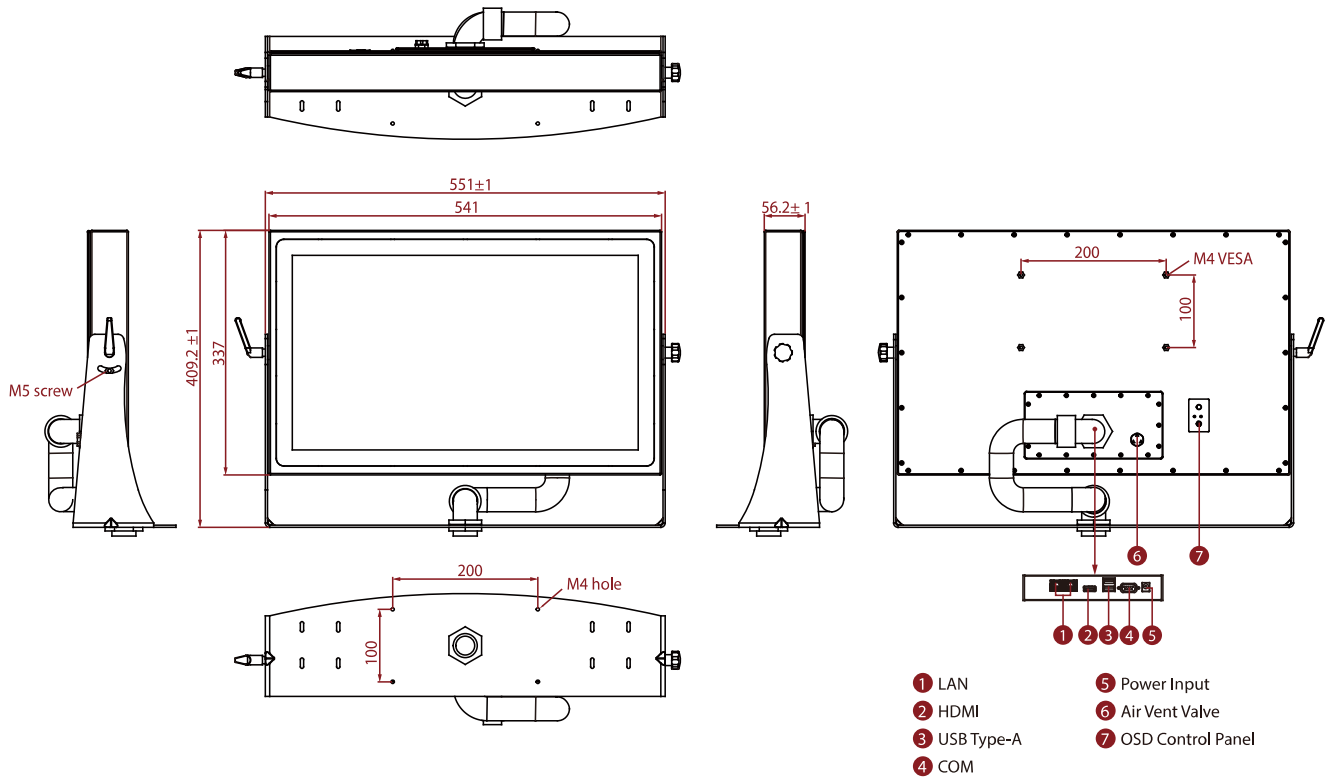
Power Rating

12V DC in

9-36V DC (Optional)

DIMENSIONS

UNIT:MM



NOTE

1. This is a simplified drawing and some components are not marked in detail.
2. The product shown in this datasheet is a standard model. For diagrams that contain customized or optional I/O, please contact the Winmate Sales Team for more information.
3. All specifications are subject to change without prior notice.