

Dimensions mm[inch]
 tolerances acc. to DIN ISO 2768-m
 Toleranzen gem. DIN ISO 2768-m

Terminals/ Connector
 ends tinned
 Enden verzinkt

Cable
 UL/cUL LIYY 5xAWG26, Style 2464/1061, grey
 colour of wires: white, brown, green, yellow, grey
 UL/cUL LIYY 5xAWG26, Style 2464/1061, grau
 Adernfarben: weiß, braun, grün, gelb, grau

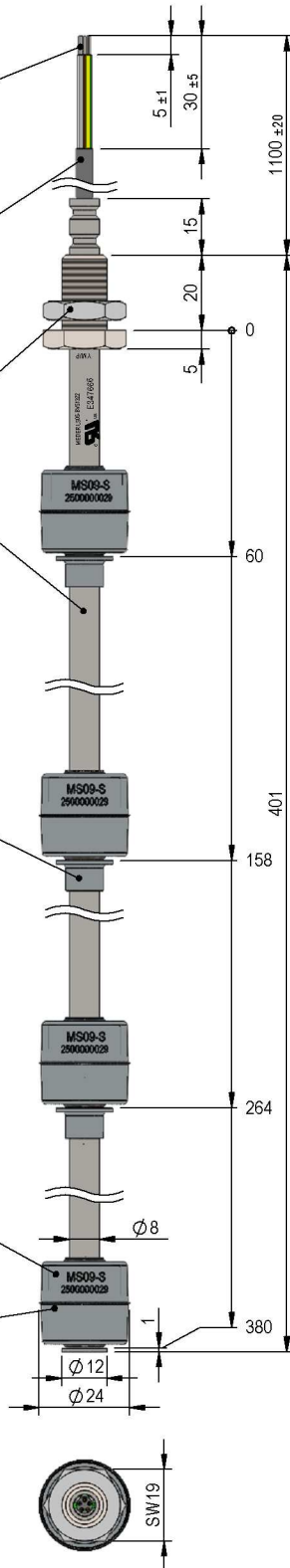
Nut
 M12, DIN 439 B, stainless steel, WS 19
 M12, DIN 439 B, Edelstahl, WS 19

Protective fitting BV51322
 stainless steel 1.4301
 Schutzarmatur BV51322
 Edelstahl 1.4301

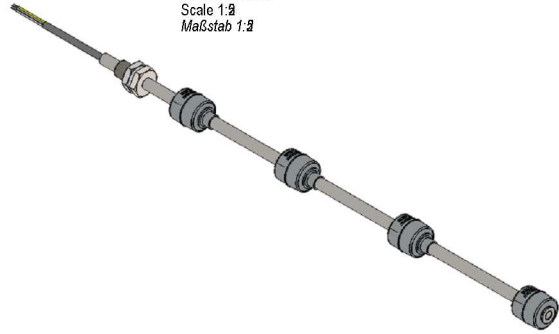
Tubular rivet
 stainless steel
 Rohrniet
 Edelstahl
 A10x1,0x7
 DIN7340

Marking of magnet
 position in the float
 Markierung der Magnetposition
 im Schwimmer

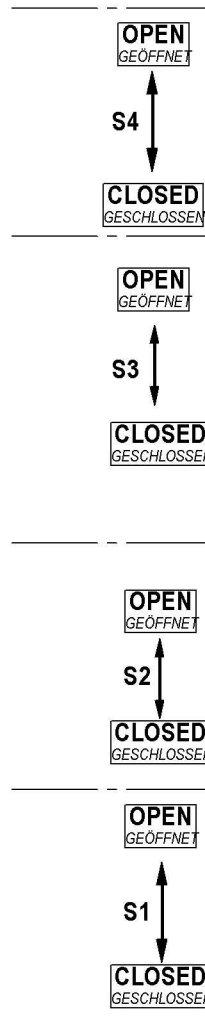
Float MS09-S
 stainless steel
 specific density approx. 0,8 g/cm³
 Schwimmer MS09-S
 Edelstahl
 spezifische Dichte ca. 0,8 g/cm³
 (p/n: 2500000029)



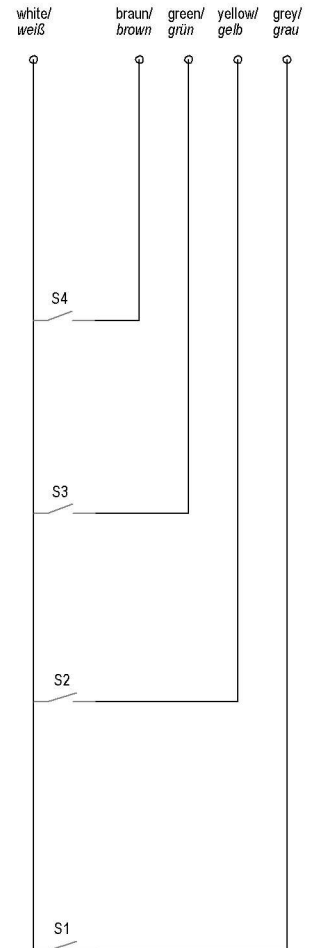
Isometric
 Scale 1:2
 Maßstab 1:2



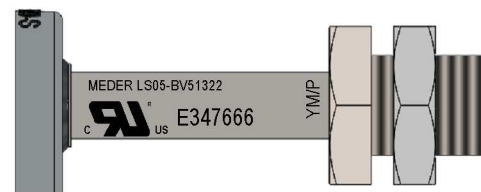
Switching scale



Schematic



Marking
 according to EN60062/factory code
 gem. EN60062/Fertigungsstätte





Europe: +49 / 7731 8399 0

| Email: info@standexmeder.com

USA: +1 / 508 295 0771

| Email: salesusa@standexmeder.com

Asia: +852 / 2955 1682

| Email: salesasia@standexmeder.com

Item No.:

9500051322

Item:

LS05-BV51322

Document Data Solutions

| Contact data 66/3 | Conditions | Min | Typ | Max | Unit |
|-------------------|--|-----|-----|-----|------|
| Contact rating | Any DC combination of V & A not to exceed their individual max.'s | | | 10 | W |
| Switching voltage | DC or Peak AC | | | 200 | V |
| Switching current | DC or Peak AC | | | 0,5 | A |
| Carry current | DC or Peak AC | | | 1 | A |

| Special Product Data | Conditions | Min | Typ | Max | Unit |
|-------------------------|------------|-----|-----|-----------------|------|
| Number of contacts | | | | 4 | |
| Contact - form | | | | A - NO | |
| Housing material LS | | | | stainless steel | |
| Material of float | | | | stainless steel | |
| Reach / RoHS conformity | | | | yes | |

| Environmental data | Conditions | Min | Typ | Max | Unit |
|-----------------------|------------|-----|-----|-----|------|
| Operating temperature | | -30 | | 70 | °C |
| Operating temperature | | -5 | | 70 | °C |
| Storage temperature | | -30 | | 70 | °C |

| Cable specification | Conditions | Min | Typ | Max | Unit |
|---------------------|------------|-----|-----|-------------|------|
| Cable type | | | | round cable | |
| Cable material | | | | PVC | |
| Cross section | | | | AWG 26 | |

| General data | Conditions | Min | Typ | Max | Unit |
|-----------------|------------|-----|-----|---|------|
| Mounting advice | | | | over 5m cable, a resistor is recommended. | |

Modifications in the sense of technical progress are reserved

Designed at: 07.08.14 Designed by: ABURGESS

Approval at: 08.10.14 Approval by: ABURGESS

Last Change at: 06.03.15 Last Change by: GPAPPALARDO

Approval at: 12.03.15 Approval by: DKUECHLER

Rev. No.: 03