

2J6A15B-868

868 MHz ISM Screw Mount

Key Features

868 MHz ISM

- 863-870 MHz

Screw Mount

Anti-Rotation Mechanism

High Gain

Ground Plane Dependent

IP67, IK09, IP69K

Dimensions Ø 77.3 × 65.5 mm



1. Antenna and electrical specifications

Parameters	868 MHz ISM Antenna
Standards	ZigBee, ISM, SIGFOX, LoRa
Band (MHz)	868 MHz
Frequency (MHz)	863-870
Return Loss (dB)	~-17.3
VSWR	~1.3:1
Efficiency (%)	~61.8
Peak Gain (dBi)	~2.6
Average Gain (dB)	~-2.1
Impedance (Ohm)	50
Polarisation	Linear
Radiation Pattern	Omni-Directional
Max. Input Power (W)	50
Connector Type	Most RF Connectors (SMA-Male Standard)
Cable Length	Any Cable Length (300 cm Standard)
Cable Type	Other Cables Available (RG174 Standard)

Antenna Measurement Conditions:

Mounted on Ground Plane of 30x30 mm

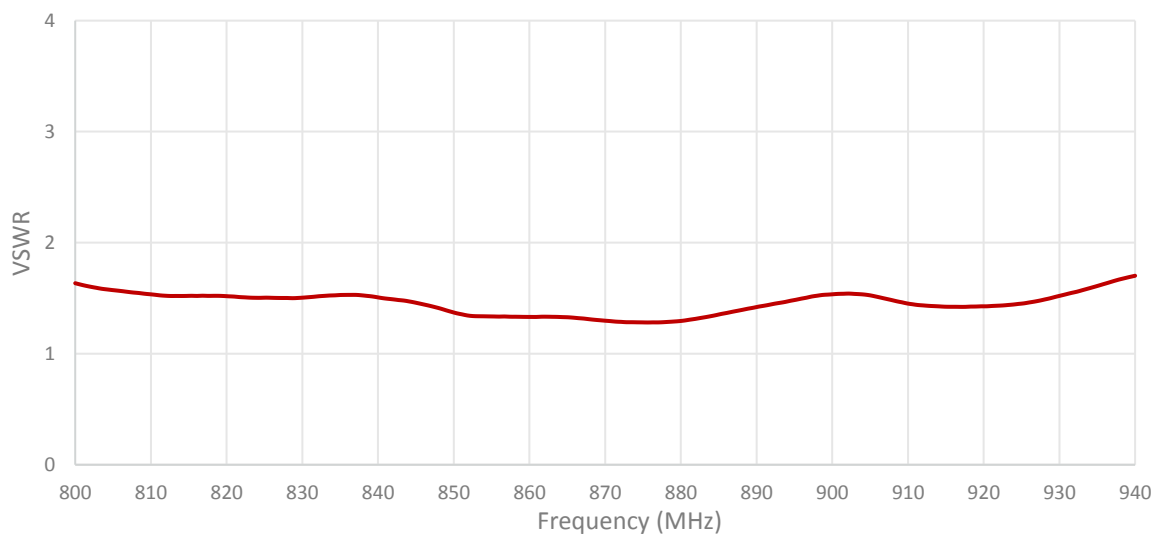
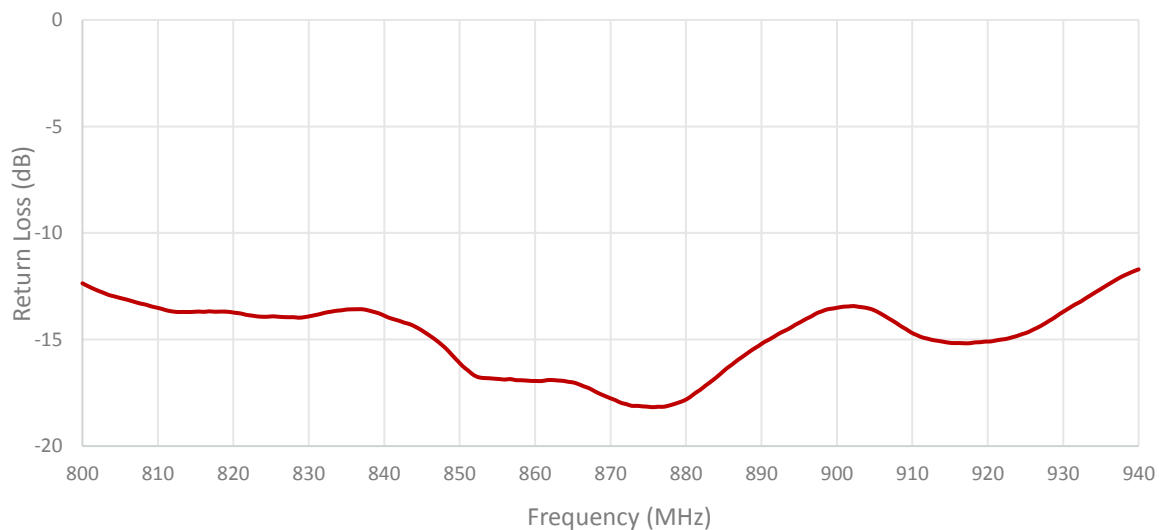
200 cm Cable Length of RG174

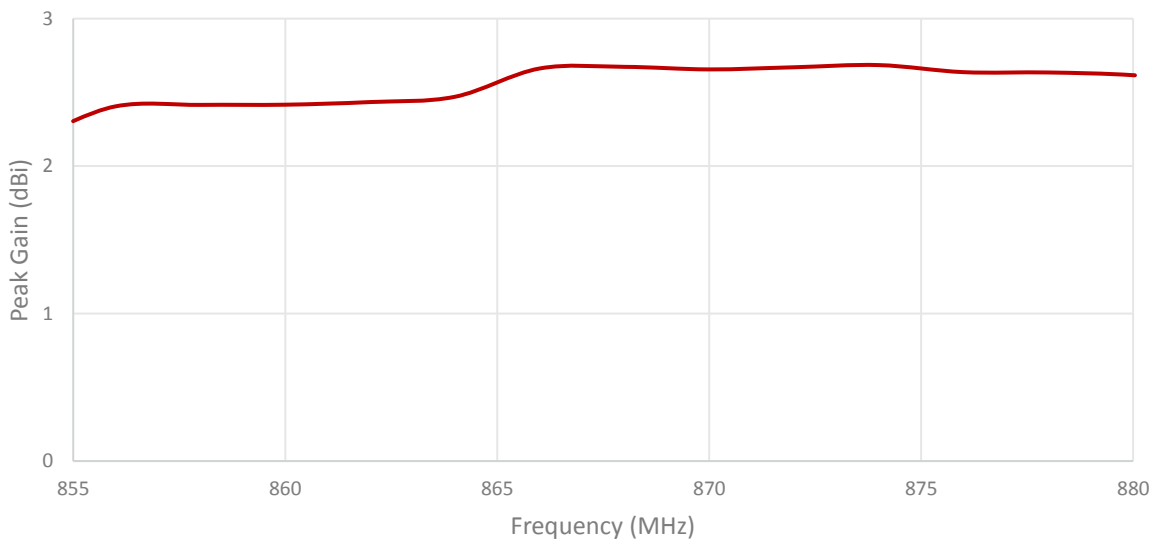
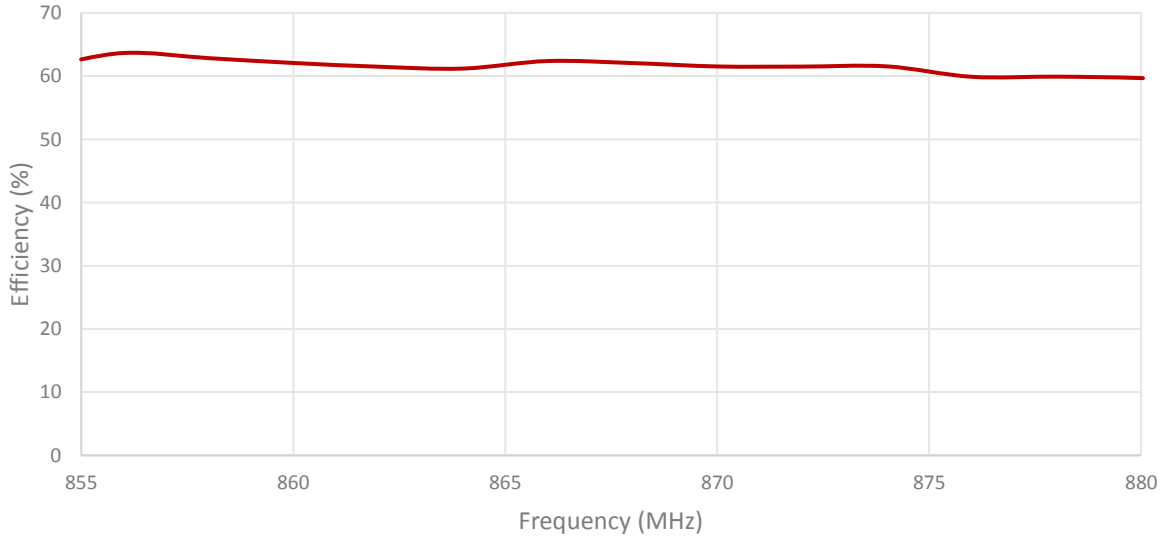
Measured in Certified CTIA 3D Anechoic Chamber

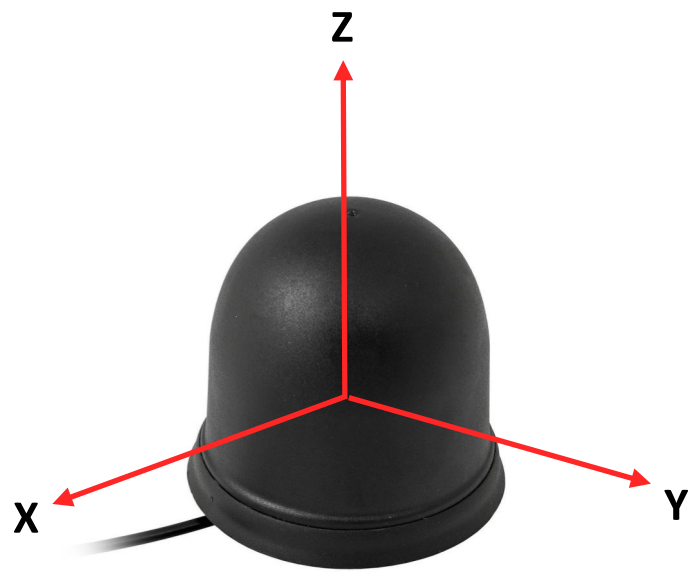
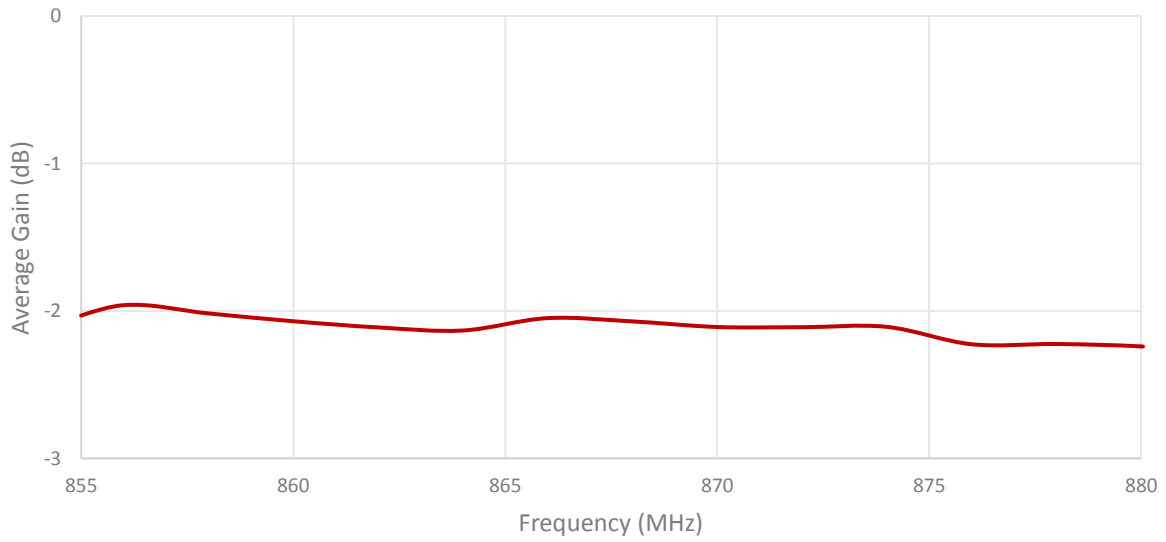
2. Mechanical and environmental specifications

Specifications	2J6A15B-868
Mounting Type	Screw Mount
Dimensions (mm)	Ø 77.3 x 65.5
Max. Tighten Torque (Nm)	6 Nm
Radome	ASA
Radome color	Black
Antenna Base	Zamak
Gasket	TPE
Operating Temperature (C)	-40 to +85
Storage Temperature (C)	-40 to +85
Substance Compliance	RoHS
Certificates	IP67, IK09, IP69K

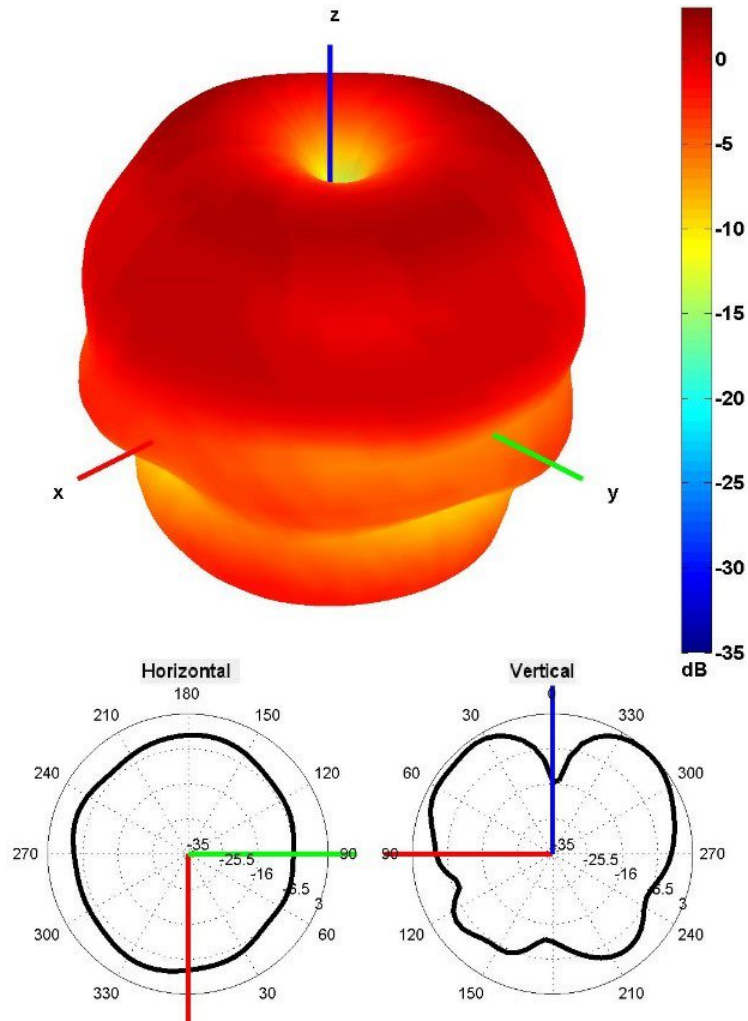
3. Antenna parameters





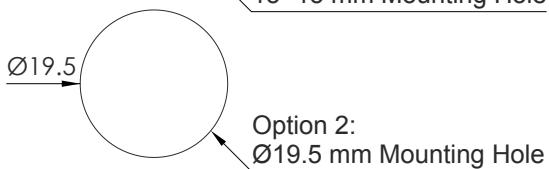
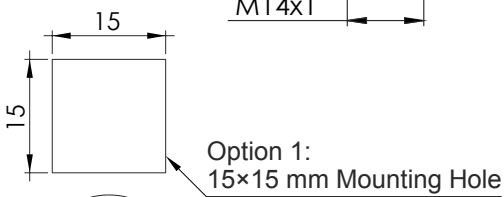
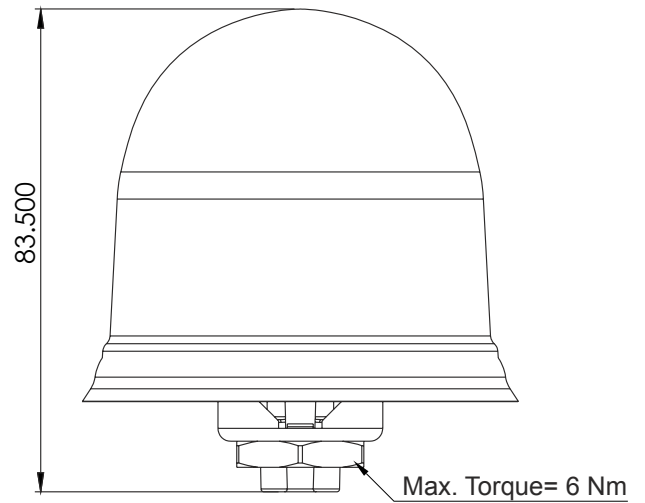
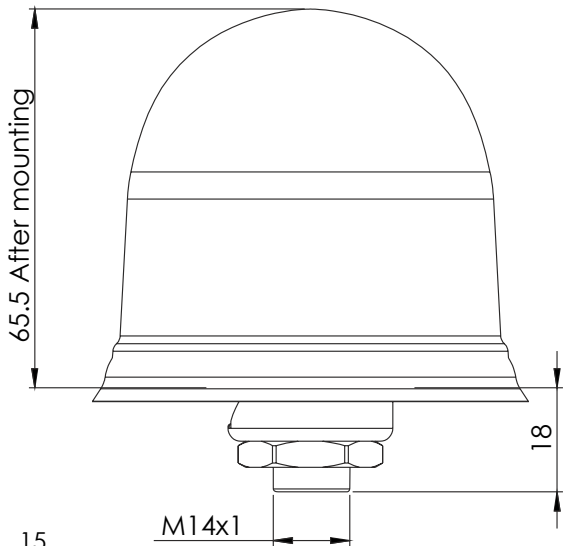
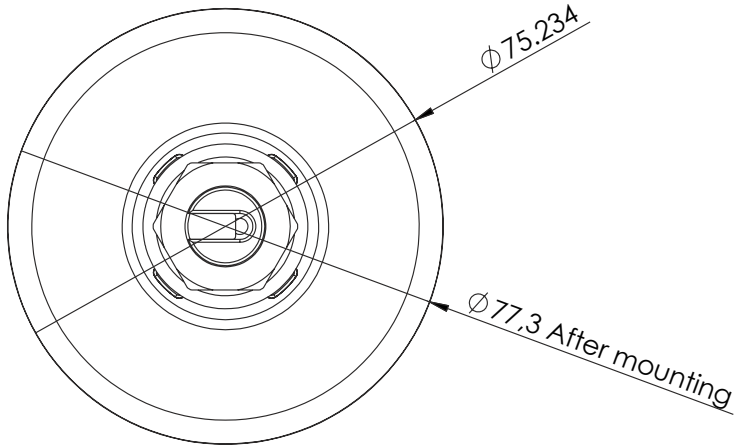


Radiation pattern reference



868 MHz Radiation pattern

4. Antenna drawings



Note: Dimensions are in millimeters
***Dimensions are after mounting**
****Max. Torque= 6 Nm**

5. Antenna Images

